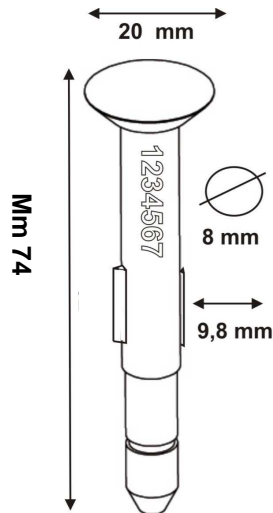


**ISO/PAS
17712: 2010**



DESCRIPTION:

° **NEPTUNESEAL** is the first bolt type seal of its kind **ISO/PAS 17712: 2010 approved**, with the internal metal part exceeding 18 mm .

Our innovative (pat. pending) design is characterised by two metal tabs attached to the bolt, which slot securely into the closure canal of the “female” part of the seal.

This amendment to the traditional bolt seal design, requested by the new ISO norms, means it is no longer possible to tamper the “female” part of the seal by spinning it at high speed.

Any Tampering attempt will damage the seal leaving it irreparable.

MATERIAL:

Plastic parts: polystyrene / ABS in accordance with : **Restriction of Hazardous Substances (RoHS) listed in the European Directive 2002/EC.**

CERTIFICATES:

Compliant with ISO/PAS 17712:2010 HSS (high security seal)
ISO/PAS 17025 LAB APPROVED

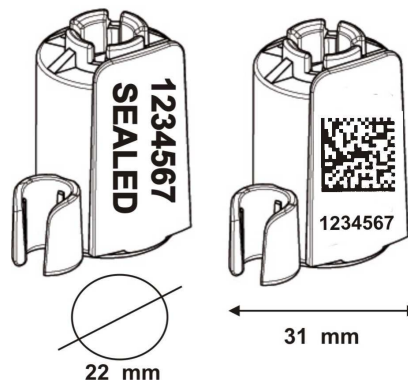
DATA MATRIX:

Data Matrix data capacity: A single Data Matrix symbol can theoretically hold up to 3116 digits, 2335 alphanumeric characters, or 1556 bytes.

Due to internal data compression algorithms the exact data capacity depends on the structure of the data to be encoded.

The maximum Data Matrix capacity is also influenced by available printing space and the printer resolution.

Data Matrix can be scanned at any distance.



NUMBERING AND CUSTOMISATION:

- ° LASER printing
- ° Sequential numbering up to 15 figures
- ° **Bar-code option**
- ° **Data Matrix option**
- ° **RFID option**
- ° Customisation up to 20 characters on one line
- ° Client logo on request
- ° For substantial orders it's possible to recreate company logo in relief

AVAILABLE COLOURS



PACKING:

250 seals per carton
Carton Dimensions : 39x19x16cm
Carton weight: 13,3 kg